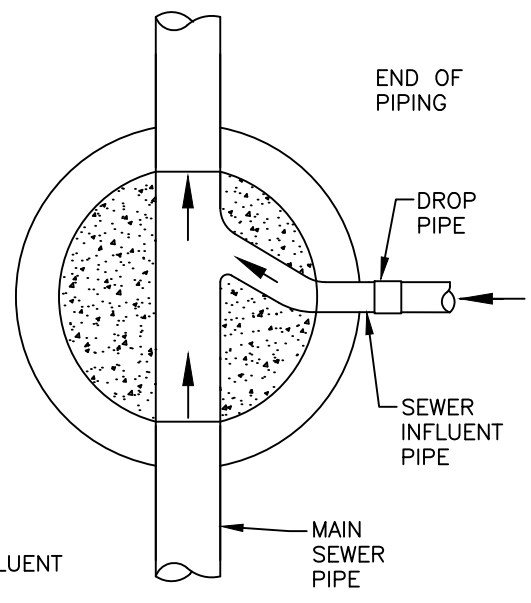
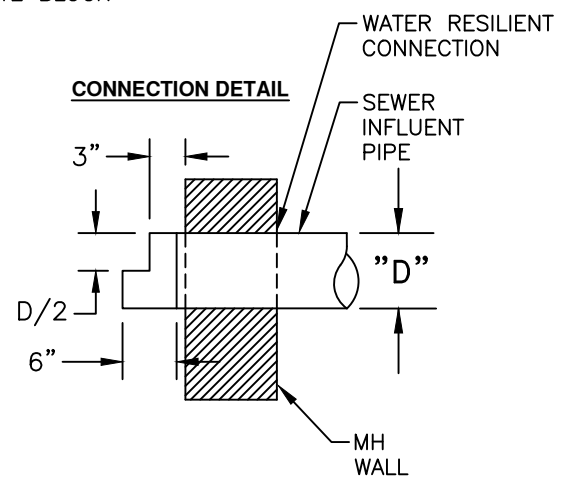


ELEVATION




PLAN



CONNECTION DETAIL

- NOTES:**
1. DROP PIPE SHALL BE SAME SIZE AS SEWER INFLUENT, 12" MAXIMUM.
 2. ALL PRECAST AND CAST-IN-PLACE CONCRETE MANHOLE DETAIL ITEMS APPLY TO DROP MANHOLE CONSTRUCTION.
 3. NO DROP PIPING SHALL BE REQUIRED IF SEWER INFLUENT PIPE FLOWLINE IS 24" OR LESS ABOVE MAIN SEWER PIPE FLOWLINES OR IF MAIN SEWER PIPE BENCH IS HIGHER THAN SEWER INFLUENT FLOWLINE.

NOTE:
ALL PRODUCTS SHALL BE APPROVED BY THE CITY OF ARLINGTON WATER UTILITIES. SEE APPROVED PRODUCT LISTING.

 CITY OF ARLINGTON, TEXAS
OUTSIDE DROP MANHOLE
DATE: 01/09/2018