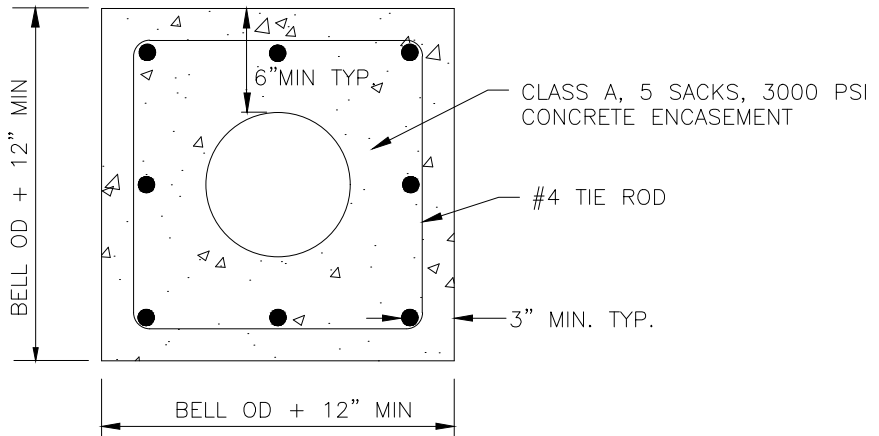


- 6" – 8" PIPE: 4 – #4 HORIZONTAL REINFORCING BARS WITH TIE RODS
- 10" – 12" PIPE: 4 – #5 HORIZONTAL REINFORCING BARS WITH TIE RODS

ENCASEMENT FOR 12" & SMALLER PIPE

HORIZONTAL REINFORCING BARS TO BE AS SHOWN AND TIED AT 4' CENTERS.



- 14" – 18" PIPE: 8 – #5 HORIZONTAL REINFORCING BARS WITH TIE RODS
- 20" – 30" PIPE: 8 – #6 HORIZONTAL REINFORCING BARS WITH TIE RODS

ENCASEMENT FOR 14" - 30" PIPE